

(V) Preliminary Specifications

() Final Specifications

Module	12.1 Inch Color TFT-LCD
Model Name	G121XN01 V0

Customer	Date
	-
Checked & Approved by	
_____	_____
<p>Note: This Specification is subject to change without notice.</p>	

Approved by	Date
_____ Debbie Chiu	_____ 2009/09/28
Prepared by	
_____ Vivian Huang	_____ 2009/09/28
<p>General Display Business Division / AU Optronics corporation</p>	

Contents

1. Operating Precautions	4
2. General Description	5
2.1 Display Characteristics	5
2.2 Optical Characteristics.....	6
3. Functional Block Diagram	9
4. Absolute Maximum Ratings	10
4.1 Absolute Ratings of TFT LCD Module	10
4.2 Absolute Ratings of Environment.....	10
5. Electrical Characteristics	11
5.1 TFT LCD Module	11
5.2 Backlight Unit.....	13
6. Signal Characteristics	14
6.1 Pixel Format Image	14
6.2 Scanning Direction.....	14
6.3 TFT-LCD Interface Signal Description	15
6.4 The Input Data Format.....	16
6.5 TFT-LCD Interface Timing.....	17
6.6 Power ON/OFF Sequence	18
7. Connector & Pin Assignment	19
7.1 TFT-LCD Signal (CN1): LCD Connector	19
7.2 LED Backlight Unit (CN2): Backlight Connector	19
8. Reliability Test Criteria	20
9. Mechanical Characteristics	21
9.1 LCM Outline Dimension (Front View)	21
9.2 LCM Outline Dimension (Rear View)(Pin 1 position)	22
10. Label and Packaging	23
10.1 Shipping Label (on the rear side of TFT-LCD display)	23
10.2 Carton Package	23
11 Safety	24
11.1 Sharp Edge Requirements.....	24
11.2 Materials	24
11.3 Capacitors	24
11.4 National Test Lab Requirement.....	24



Record of Revision

Version and Date	Page	Old description	New Description
0.0 2009/09/14	All	First Edition	

1. Operating Precautions

- 1) Since front polarizer is easily damaged, please be cautious and not to scratch it.
- 2) Be sure to turn off power supply when inserting or disconnecting from input connector.
- 3) Wipe off water drop immediately. Long contact with water may cause discoloration or spots.
- 4) When the panel surface is soiled, wipe it with absorbent cotton or soft cloth.
- 5) Since the panel is made of glass, it may be broken or cracked if dropped or bumped on hard surface.
- 6) To avoid ESD (Electro Static Discharge) damage, be sure to ground yourself before handling TFT-LCD Module.
- 7) Do not open nor modify the module assembly.
- 8) Do not press the reflector sheet at the back of the module to any direction.
- 9) In case if a module has to be put back into the packing container slot after it was taken out from the container, do not press the center of the LED light bar edge. Instead, press at the far ends of the LED light bar edge softly. Otherwise the TFT Module may be damaged.
- 10) At the insertion or removal of the Signal Interface Connector, be sure not to rotate nor tilt the Interface Connector of the TFT Module.
- 11) TFT-LCD Module is not allowed to be twisted & bent even force is added on module in a very short time. Please design your display product well to avoid external force applying to module by end-user directly.
- 12) Small amount of materials without flammability grade are used in the TFT-LCD module. The TFT-LCD module should be supplied by power complied with requirements of Limited Power Source (IEC60950 or UL1950), or be applied exemption.
- 13) Severe temperature condition may result in different luminance, response time and lamp ignition voltage.
- 14) Continuous operating TFT-LCD display under low temperature environment may accelerate lamp exhaustion and reduce luminance dramatically.
- 15) The data on this specification sheet is applicable when LCD module is placed in landscape position.
- 16) Continuous displaying fixed pattern may induce image sticking. It's recommended to use screen saver or shuffle content periodically if fixed pattern is displayed on the screen.

2. General Description

This specification applies to the Color Active Matrix Liquid Crystal Display G121XN01 V0 composed of a TFT-LCD display, a driver and power supply circuit, and a LED backlight system.

The screen format is intended to support XGA (1024(H) x 768(V)) screen and 16.2M (RGB 8-bits) or 262k colors (RGB 6-bits).

LED driving board for backlight unit is included in G121XN01 V0 and the LED unit is replaceable.

All input signals are LVDS interface and compatible with G121SN01 V3 and G121SN01 V4.

G121XN01 V0 designed with wide viewing angle; wide temperature and long life LED backlight is well suited for industrial applications.

G121XN01 V0 is a RoHS product.

2.1 Display Characteristics

The following items are characteristics summary on the table under 25 °C condition:

Items	Unit	Specifications
Screen Diagonal	[inch]	12.1
Active Area	[mm]	245.76 (H) x 184.32 (V)
Pixels H x V		1024 x 768
Pixel Pitch	[mm]	0.3075 x 0.3075
Pixel Arrangement		R.G.B.W Rectangle
Display Mode		TN, Normally White
Nominal Input Voltage VDD	[Volt]	3.3 (typ.)
Typical Power Consumption	[Watt]	TBD All black pattern
Weight	[Grams]	495 (Max.)
Physical Size	[mm]	279.0(H) x 209.0(V) x 9.0(D) (Max.)
Electrical Interface		1 channel LVDS
Surface Treatment		Anti-glare, Hardness 3H
Support Color		16.2M / 262K colors
Temperature Range		
Operating	[°C]	-30 to +80
Storage (Non-Operating)	[°C]	-30 to +80
RoHS Compliance		RoHS Compliance

2.2 Optical Characteristics

The optical characteristics are measured under stable conditions at 25°C (Room Temperature):

Item	Unit	Conditions	Min.	Typ.	Max.	Remark
White Luminance	[cd/m ²]	I _F = 120mA/1 LED Line (center point)	375	500	-	Note 1
Uniformity	%	5 Points	75	-	-	Note 2, 3
Contrast Ratio			500	700	-	Note 4
Response Time	[msec]	Rising	-	25	35	Note 5
	[msec]	Falling	-	10	20	
	[msec]	Raising + Falling	-	35	55	
Viewing Angle	[degree]	Horizontal (Right) CR = 10 (Left)	70	80	-	Note 6
	[degree]		70	80	-	
	[degree]	Vertical (Upper) CR = 10 (Lower)	70	80	-	
	[degree]		70	80	-	
Color / Chromaticity Coordinates (CIE 1931)		Red x	TBD	TBD	TBD	
		Red y	TBD	TBD	TBD	
		Green x	TBD	TBD	TBD	
		Green y	TBD	TBD	TBD	
		Blue x	TBD	TBD	TBD	
		Blue y	TBD	TBD	TBD	
		White x	TBD	0.310	TBD	
		White y	TBD	0.330	TBD	
Color Gamut	%		-	70	-	

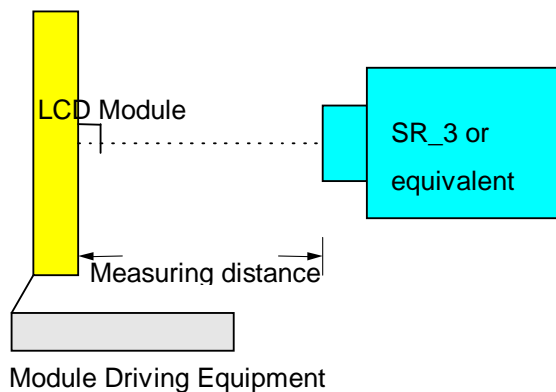
Note 1: Measurement method

Equipment Pattern Generator, Power Supply, Digital Voltmeter, Luminance meter (SR_3 or equivalent)

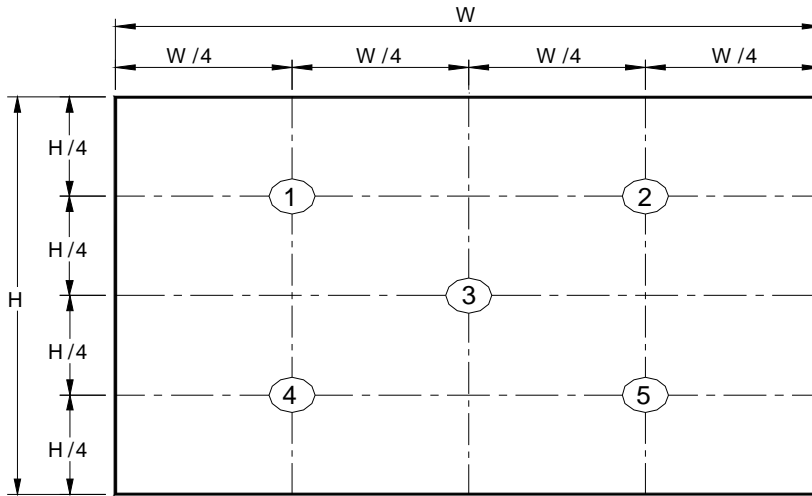
Aperture 1° with 50cm viewing distance

Test Point Center

Environment < 1 lux



Note 2: Definition of 5 points position (Display active area: 245.76mm (H) x 184.32mm (V))



Note 3: The luminance uniformity of 5 points is defined by dividing the minimum luminance values by the maximum test point luminance

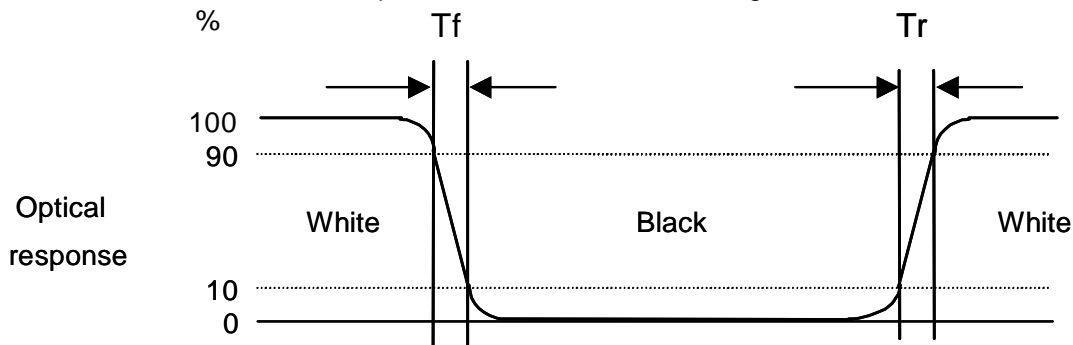
$$\delta_{w9} = \frac{\text{Minimum Brightness of five points}}{\text{Maximum Brightness of five points}}$$

Note 4: Definition of contrast ratio (CR):

$$\text{Contrast ratio (CR)} = \frac{\text{Brightness on the "White" state}}{\text{Brightness on the "Black" state}}$$

Note 5: Definition of response time:

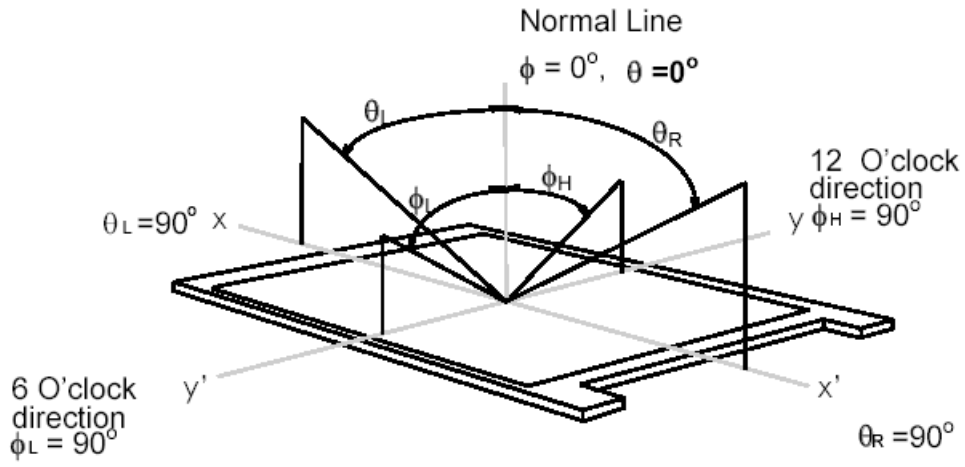
The output signals of photo detector are measured when the input signals are changed from "White" to "Black" (falling time) and from "Black" to "White" (rising time), respectively. The response time interval is between 10% and 90% of amplitudes. Please refer to the figure as below.



Note 6: Definition of viewing angle

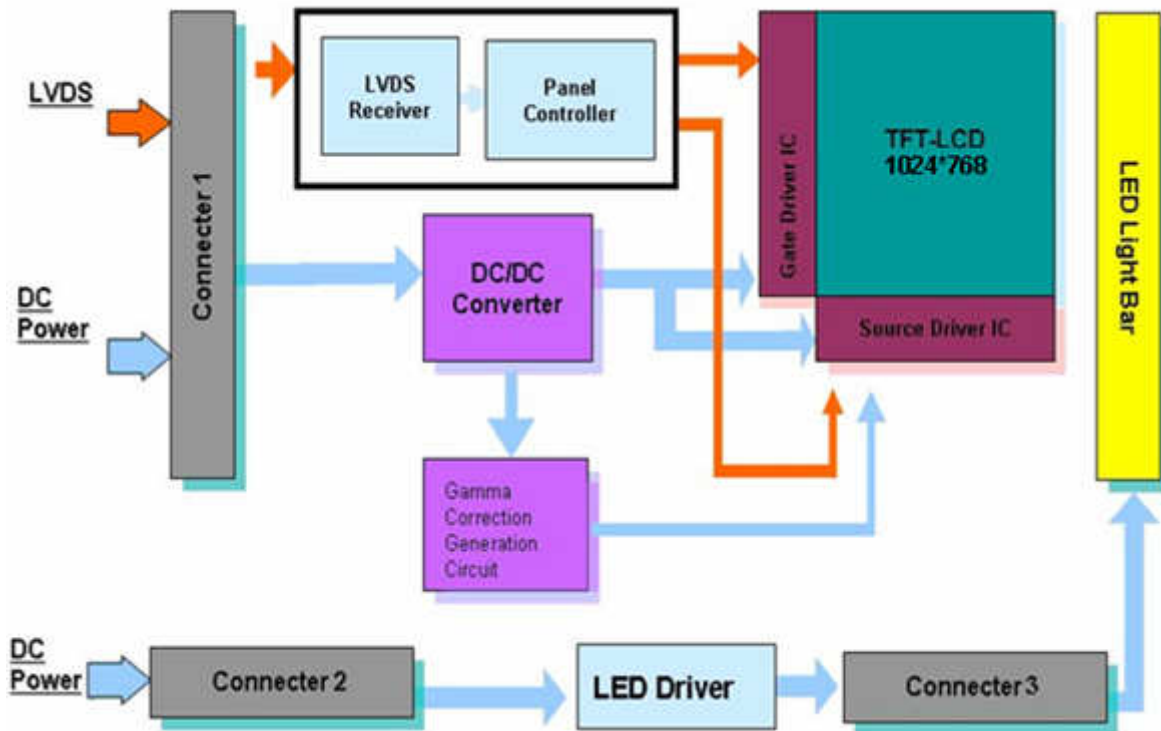
Viewing angle is the measurement of contrast ratio ≥ 10 , at the screen center, over a 180° horizontal and 180° vertical range (off-normal viewing angles). The 180° viewing angle range is broken down as below: 90° (θ) horizontal left and right, and 90° (Φ) vertical high (up) and low (down). The measurement direction is typically perpendicular to the display surface with the screen rotated to its center to develop

the desired measurement viewing angle.



3. Functional Block Diagram

The following diagram shows the functional block of the 12.1 inch color TFT/LCD module:



4. Absolute Maximum Ratings

4.1 Absolute Ratings of TFT LCD Module

Item	Symbol	Min	Max	Unit
Logic/LCD Drive	Vin	-0.3	+3.6	[Volt]

4.2 Absolute Ratings of Environment

Item	Symbol	Min	Max	Unit
Operating Temperature	TOP	-30	+80	[°C]
Operation Humidity	HOP	5	90	[%RH]
Storage Temperature	TST	-30	+80	[°C]
Storage Humidity	HST	5	90	[%RH]

Note: Maximum Wet-Bulb should be 39°C and no condensation.

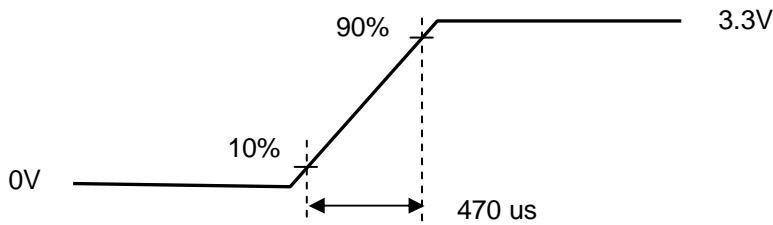
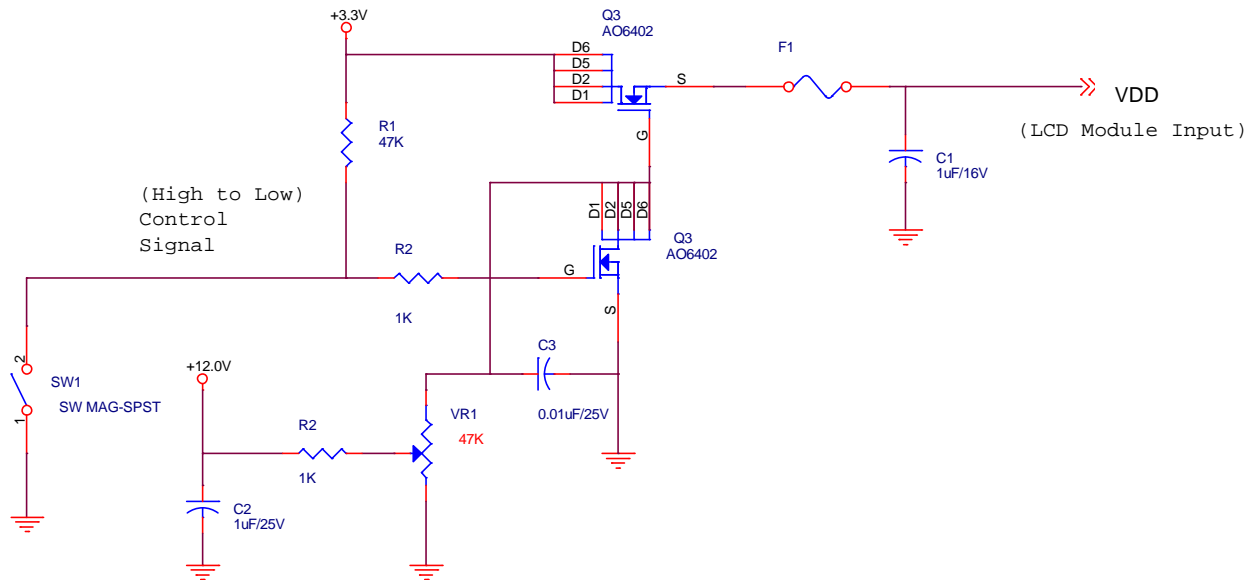
5. Electrical Characteristics

5.1 TFT LCD Module

5.1.1 Power Specification

Symbol	Parameter	Min	Typ	Max	Units	Remark
VDD	Logic/LCD Input Voltage	3.0	3.3	3.6	[Volt]	
I _{VDD}	LCD Input Current	-	TBD	-	[mA]	VDD=3.3V at 60 HZ, all Black Pattern
P _{VDD}	LCD Power consumption	-	TBD	-	[Watt]	VDD=3.3V at 60 HZ, all Black Pattern
I _{rush LCD}	LCD Inrush Current	-	-	TBD	[A]	Note 1; VDD=3.3V Black Pattern, Rising time=470us
VDD _{rp}	Allowable Logic/LCD Drive Ripple Voltage	-	-	TBD	[mV] p-p	VDD=3.3V at 60 HZ, all Black Pattern

Note 1: Measurement condition:



VDD rising time

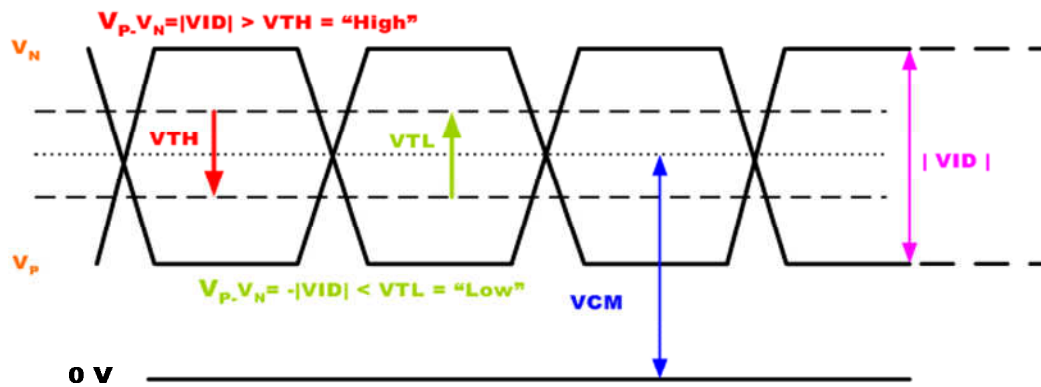
5.1.2 Signal Electrical Characteristics

Input signals shall be low or Hi-Z state when VDD is off.

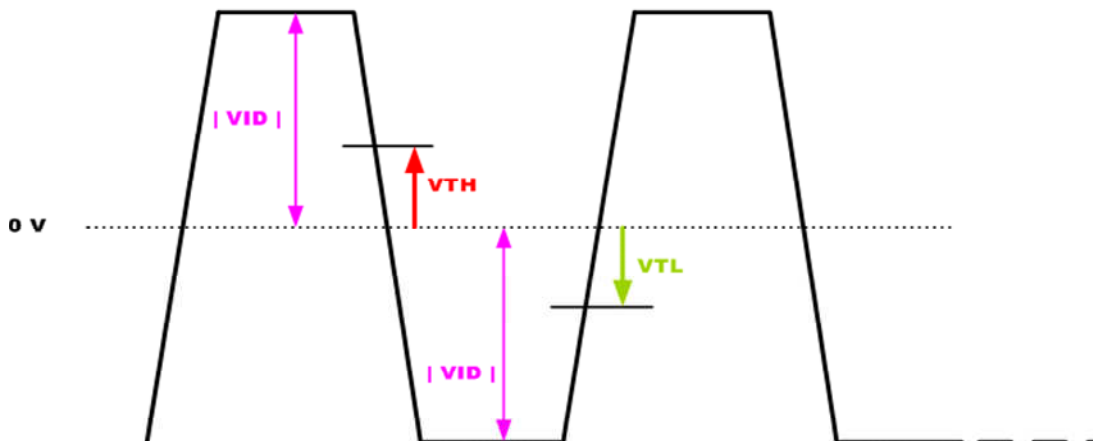
Symbol	Item	Min.	Typ.	Max.	Unit	Remark
VTH	Differential Input High Threshold	-	-	100	[mV]	VCM=1.2V
VTL	Differential Input Low Threshold	100	-	-	[mV]	VCM=1.2V
VID	Input Differential Voltage	100	400	600	[mV]	
VICM	Differential Input Common Mode Voltage	1.1	-	1.45	[V]	VTH/VTL=±100mV

Note: LVDS Signal Waveform.

Single-end Signal



Differential Signal



5.2 Backlight Unit

5.2.1 Parameter guideline for LCD

Following characteristics are measured under a stable condition using a inverter at 25°C. (Room Temperature):

Symbol	Parameter	Min.	Typ.	Max.	Unit	Remark
VCC	Input Voltage	10.8	12	12.6	[Volt]	
I _{VCC}	Input Current	-	TBD	-	[A]	100% PWM Duty
P _{VCC}	Power Consumption	-	TBD	TBD	[Watt]	100% PWM Duty
I _{rush LED}	Inrush Current	-	-	TBD	[A]	at rising time=470us
F _{PWM}	Dimming Frequency	200	-	20K	[Hz]	
	Swing Voltage	3	3.3	5.5	[Volt]	
	Dimming duty cycle	5	-	100	%	
I _F	LED Forward Current	-	120	-	[mA]	Ta = 25°C
V _F	LED Forward Voltage	-	TBD	TBD	[Volt]	I _F = 120mA, Ta = -30°C
		-	TBD	TBD	[Volt]	I _F = 120mA, Ta = 25°C
		-	TBD	TBD	[Volt]	I _F = 120mA, Ta = 85°C
P _{LED}	LED Power Consumption	-	TBD	TBD	[Watt]	
Operation Life		50,000	-	-	Hrs	I _F =120mA, Ta= 25°C

Note 1: Ta means ambient temperature of TFT-LCD module.

Note 2: VCC, I_{VCC}, I_{rush LED}, P_{VCC} are defined for LED backlight.(100% duty of PWM dimming)

Note 3: I_F, V_F are defined for one channel LED. There are two LED channel in back light unit.

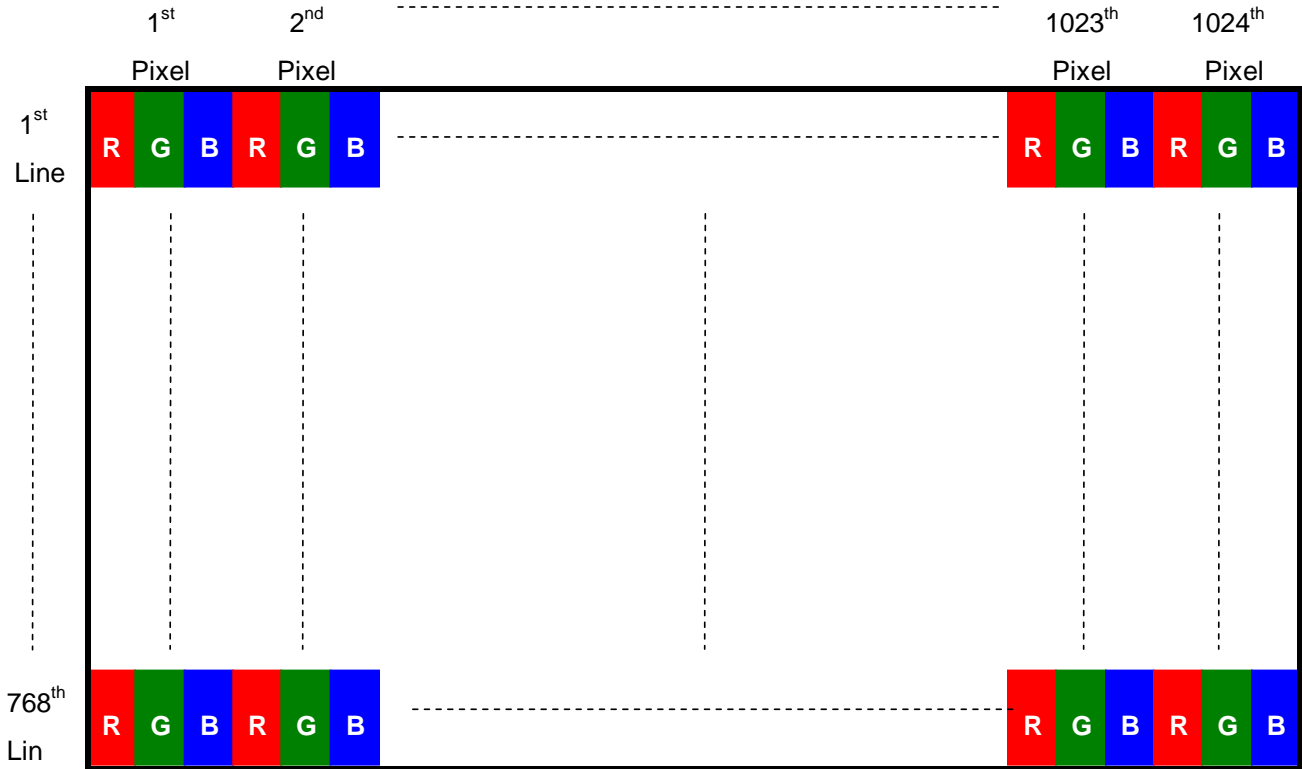
Note 4: If G121XN01 V0 module is driven by high current or at high ambient temperature & humidity condition. The operating life will be reduced.

Note 5: Operating life means brightness goes down to 50% initial brightness. Minimum operating life time is estimated data.

6. Signal Characteristics

6.1 Pixel Format Image

Following figure shows the relationship between input signal and LCD pixel format.



6.2 Scanning Direction

The following figures show the image seen from the front view. The arrow indicates the direction of scan.

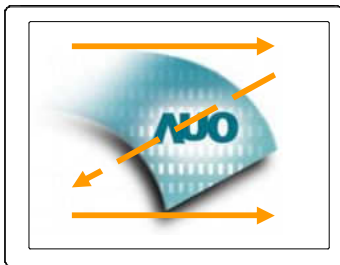


Fig. 1 Normal scan (Pin19, RSV = Low or NC)

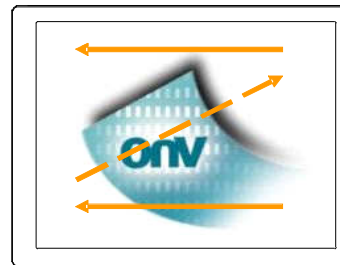


Fig. 2 Reverse scan (Pin19, RSV = High or VDD)

6.3 TFT-LCD Interface Signal Description

The module using a LVDS receiver embedded in AUO's ASIC. LVDS is a differential signal technology for LCD interface and a high-speed data transfer device.

Input Signal Interface		
Pin No.	Symbol	Description
1	VDD	Power Supply, 3.3V (typical)
2	VDD	Power Supply, 3.3V (typical)
3	GND	Ground
4	SEL68	6/ 8bits LVDS data input selection [H: 8bits L/NC: 6bit]
5	RIN0-	LVDS receiver signal channel 0
6	RIN0+	LVDS Differential Data Input (R0, R1, R2, R3, R4, R5, G0)
7	GND	Ground
8	RIN1-	LVDS receiver signal channel 1
9	RIN1+	LVDS Differential Data Input (G1, G2, G3, G4, G5, B0, B1)
10	GND	Ground
11	RIN2-	LVDS receiver signal channel 2
12	RIN2+	LVDS Differential Data Input (B2, B3, B4, B5, HS, VS, DE)
13	GND	Ground
14	CLKIN-	LVDS receiver signal clock
15	CLKIN+	
16	GND	Ground
17	RIN3-	LVDS receiver signal channel 3, NC for 6 bit LVDS Input
18	RIN3+	LVDS Differential Data Input (R6, R7, G6, G7, B6, B7, RSV)
19	RSV	Reverse Scan Function [H: Enable; L/NC: Disable]
20	NC/GND	Reserved for AUO internal test. Please treat it as NC.

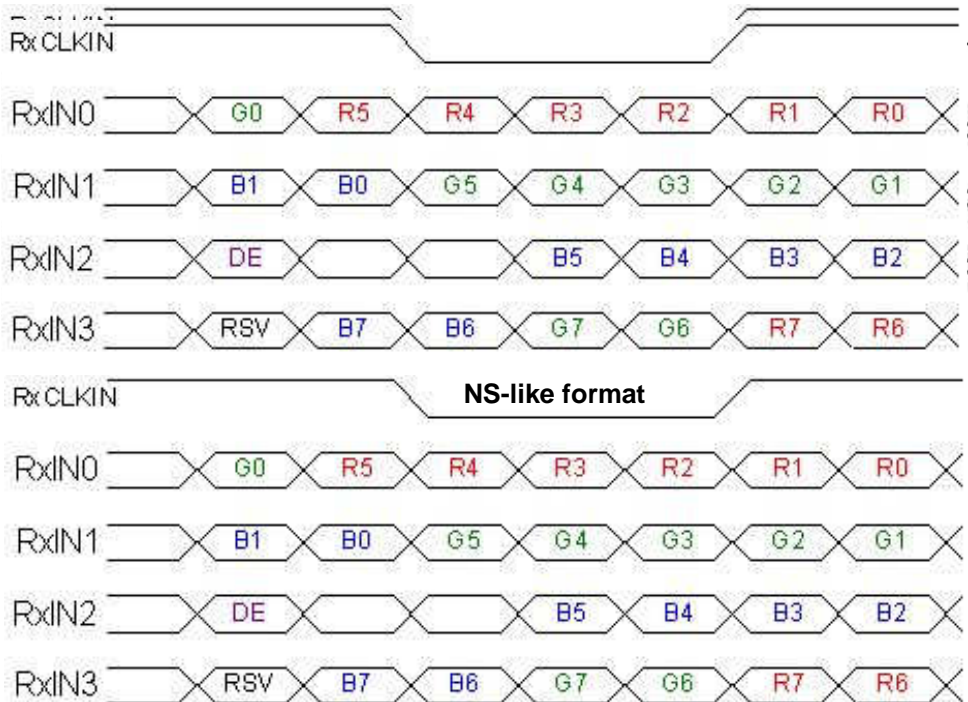
Note 1: Input Signals shall be in low status when VDD is off.

Note 2: High stands for "3.3V", Low stands for "0V", NC stands for "No Connection".

Note 3: RSV stands for "Reserved".

6.4 The Input Data Format

6.4.1 SEL68



Note1: Please follow PSWG.

Note2: R/G/B data 7:MSB, R/G/B data 0:LSB

Signal Name	Description	
+RED5(R5) +RED4(R4) +RED3(R3) +RED2(R2) +RED1(R1) +RED0(R0)	Red Data 5 (MSB) Red Data 4 Red Data 3 Red Data 2 Red Data 1 Red Data 0 (LSB) Red-pixel Data	Red-pixel Data Each red pixel's brightness data consists of these 6 bits pixel data.
+GREEN5(G5) +GREEN4(G4) +GREEN3(G3) +GREEN2(G2) +GREEN1(G1) +GREEN0(G0)	Green Data 5 (MSB) Green Data 4 Green Data 3 Green Data 2 Green Data 1 Green Data 0 (LSB) Green-pixel Data	Green-pixel Data Each green pixel's brightness data consists of these 6 bits pixel data.
+BLUE5(B5) +BLUE4(B4) +BLUE3(B3) +BLUE2(B2) +BLUE1(B1) +BLUE0(B0)	Blue Data 5 (MSB) Blue Data 4 Blue Data 3 Blue Data 2 Blue Data 1 Blue Data 0 (LSB) Blue-pixel Data	Blue-pixel Data Each blue pixel's brightness data consists of these 6 bits pixel data.
CLK	Data Clock	The typical frequency is 40MHz. The signal is used to strobe the pixel data and DE signals. All pixel data shall be valid at the falling edge when the DE signal is high.
DE	Display Timing	This signal is strobed at the falling edge of CLK. When the signal is high, the pixel data shall be valid to be displayed.



Note: Output signals from any system shall be low or Hi-Z state when VDD is off.

6.5 TFT-LCD Interface Timing

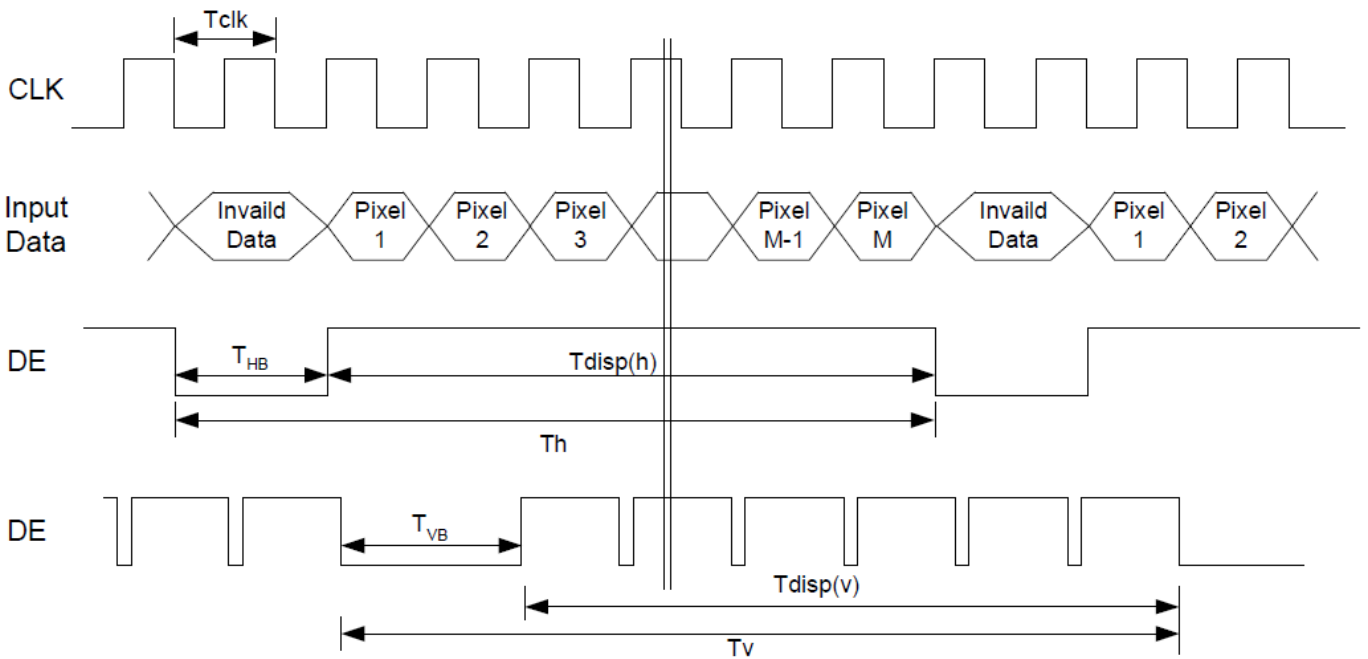
6.5.1 Timing Characteristics

Signal	Symbol	Min.	Typ.	Max.	Unit	
Clock Frequency	$1/T_{\text{Clock}}$	50	65	80	MHz	
Vertical Section	Period	T_V	776	806	T_{Line}	
	Active	T_{VD}	-	768		-
	Blanking	T_{VB}	8	38		255
Horizontal Section	Period	T_H	1054	1344	T_{Clock}	
	Active	T_{HD}	-	1024		-
	Blanking	T_{HB}	40	320		1023

Note 1: Frame rate is 60 Hz.

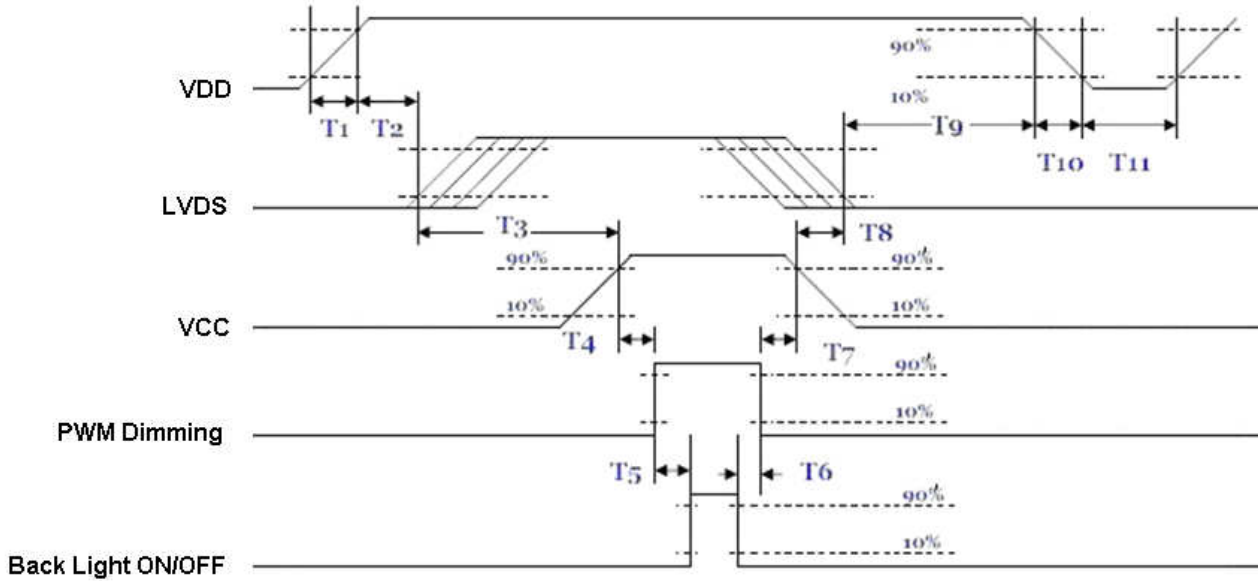
Note 2: DE mode.

6.5.2 Input Timing Diagram



6.6 Power ON/OFF Sequence

VDD power and lamp on/off sequence is as below. Interface signals are also shown in the chart. Signals from any system shall be Hi-Z state or low level when VDD is off.



Power ON/OFF sequence timing

Parameter	Value			Units
	Min.	Typ.	Max.	
T1	0.5	-	10	[ms]
T2	30	40	50	[ms]
T3	200	-	-	[ms]
T4	10	-	-	[ms]
T5	10	-	-	[ms]
T6	0	-	-	[ms]
T7	10	-	-	[ms]
T8	100	-	-	[ms]
T9	0	16	50	[ms]
T10	-	-	10	[ms]
T11	1000	-	-	[ms]

The above on/off sequence should be applied to avoid abnormal function in the display. Please make sure to turn off the power when you plug the cable into the input connector or pull the cable out of the connector.

7. Connector & Pin Assignment

Physical interface is described as for the connector on module. These connectors are capable of accommodating the following signals and will be following components.

7.1 TFT-LCD Signal (CN1): LCD Connector

Connector Name / Designation	Signal Connector
Manufacturer	STM or compatible
Connector Model Number	MSB240420-E or compatible
Adaptable Plug	P240420 or compatible

Pin No.	Symbol	Pin No.	Symbol
1	VDD	2	VDD
3	GND	4	SEL68
5	RIN0-	6	RIN0+
7	GND	8	RIN1-
9	RIN1+	10	GND
11	RIN2-	12	RIN2+
13	GND	14	CLKIN-
15	CLKIN+	16	GND
17	RIN3-	18	RIN3+
19	RSV	20	NC/GND

7.2 LED Backlight Unit (CN2): Driver Connector

Connector Name / Designation	Lamp Connector
Manufacturer	ENTERY or compatible
Connector Model Number	3808K-F05N-02R or compatible
Mating Model Number	H208K-P05N-02B or compatible

Pin No.	symbol	description
Pin1	VCC	12V input
Pin2	GND	GND
Pin3	On/OFF	5V-ON,0V-OFF
Pin4	Dimming	PWM
Pin5	NA	

7.3 LED Backlight Unit (CN4): Light bar Connector

Connector Name / Designation	Lamp Connector
Manufacturer	ENTERY or compatible
Connector Model Number	H208K-P03N-02B or compatible
Mating Model Number(CN3)	3808K-F03N-02R or compatible

Pin No.	symbol	description	Color
Pin1	H	LED anode	Red
Pin2	L	LED cathode	White



Pin3	L	LED cathode	Black
------	---	-------------	-------

8. Reliability Test Criteria

Items	Required Condition	Note
Temperature Humidity Bias	40°C, 90%RH, 300 hours	
High Temperature Operation	80°C, 300 hours	
Low Temperature Operation	-30°C, 300 hours	
Hot Storage	80°C, 300 hours	
Cold Storage	-30°C, 300 hours	
Thermal Shock Test	-20°C/ 30 min, 60°C/ 30 min, 100cycles, 40°C minimum ramp rate	
Hot Start Test	80°C / 1Hr min. power on/off per 5 minutes, 5 times	
Cold Start Test	-30°C / 1Hr min. power on/off per 5 minutes, 5 times	
Shock Test (Non-Operating)	50G, 20ms, Half-sine wave, (±X, ±Y, ±Z)	
Vibration Test (Non-Operating)	1.5G, (10~200Hz, Sine wave) 30 mins/axis, 3 direction (X, Y, Z)	
On/off test	On/10 sec, Off/10 sec, 30,000 cycles	
ESD	Contact Discharge: ± 8KV, 150pF(330Ω) 1sec, 8 points, 25 times/ point Air Discharge: ± 15KV, 150pF(330Ω) 1sec, 8 points, 25 times/ point	Note 1
EMI	30-230 MHz, limit 30 dBu V/m, 230-1000 MHz, limit 37 dBu V/m	

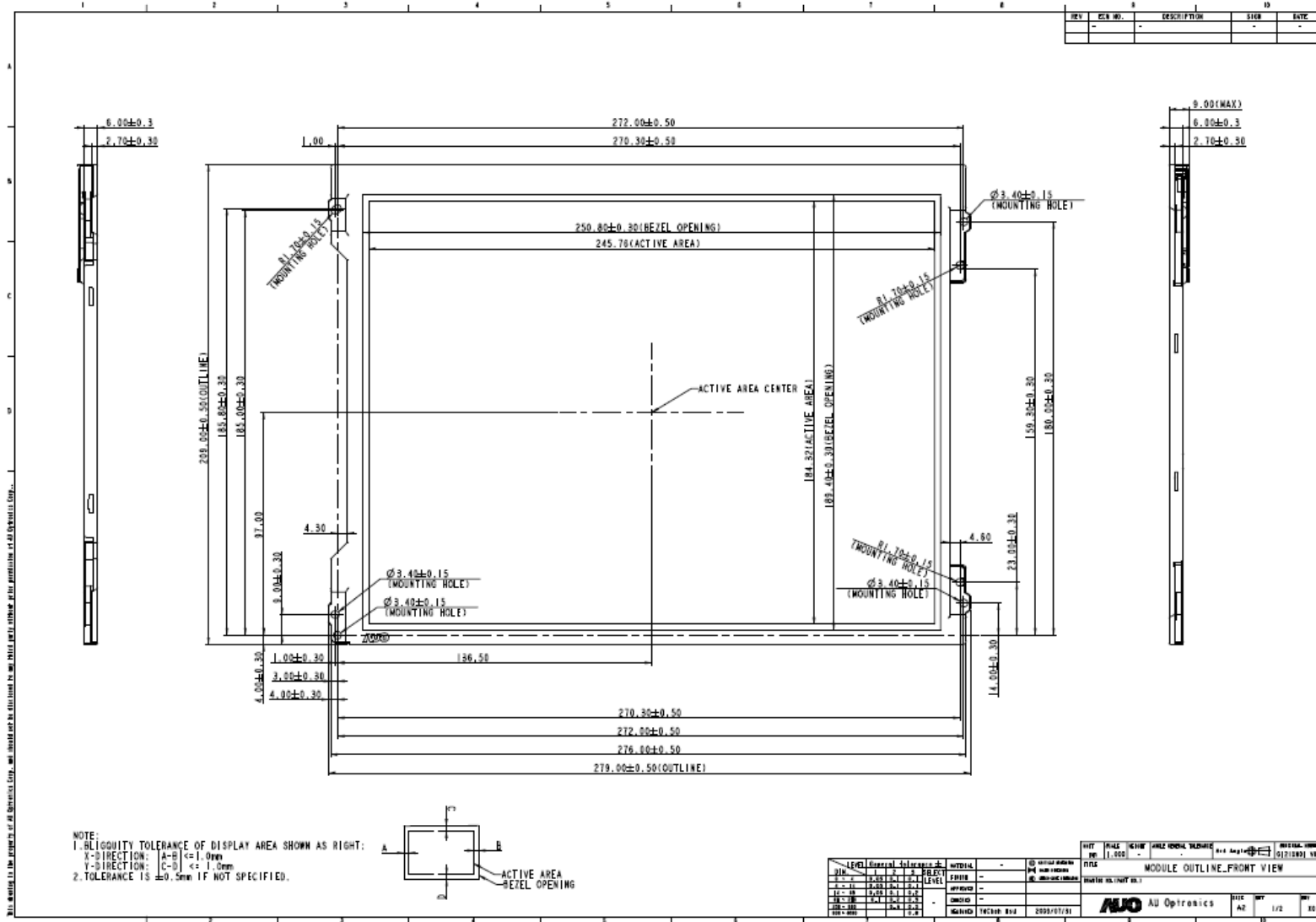
Note1: According to EN61000-4-2, ESD class B: Some performance degradation allowed. No data lost
Self-recoverable. No hardware failures.

Note2:

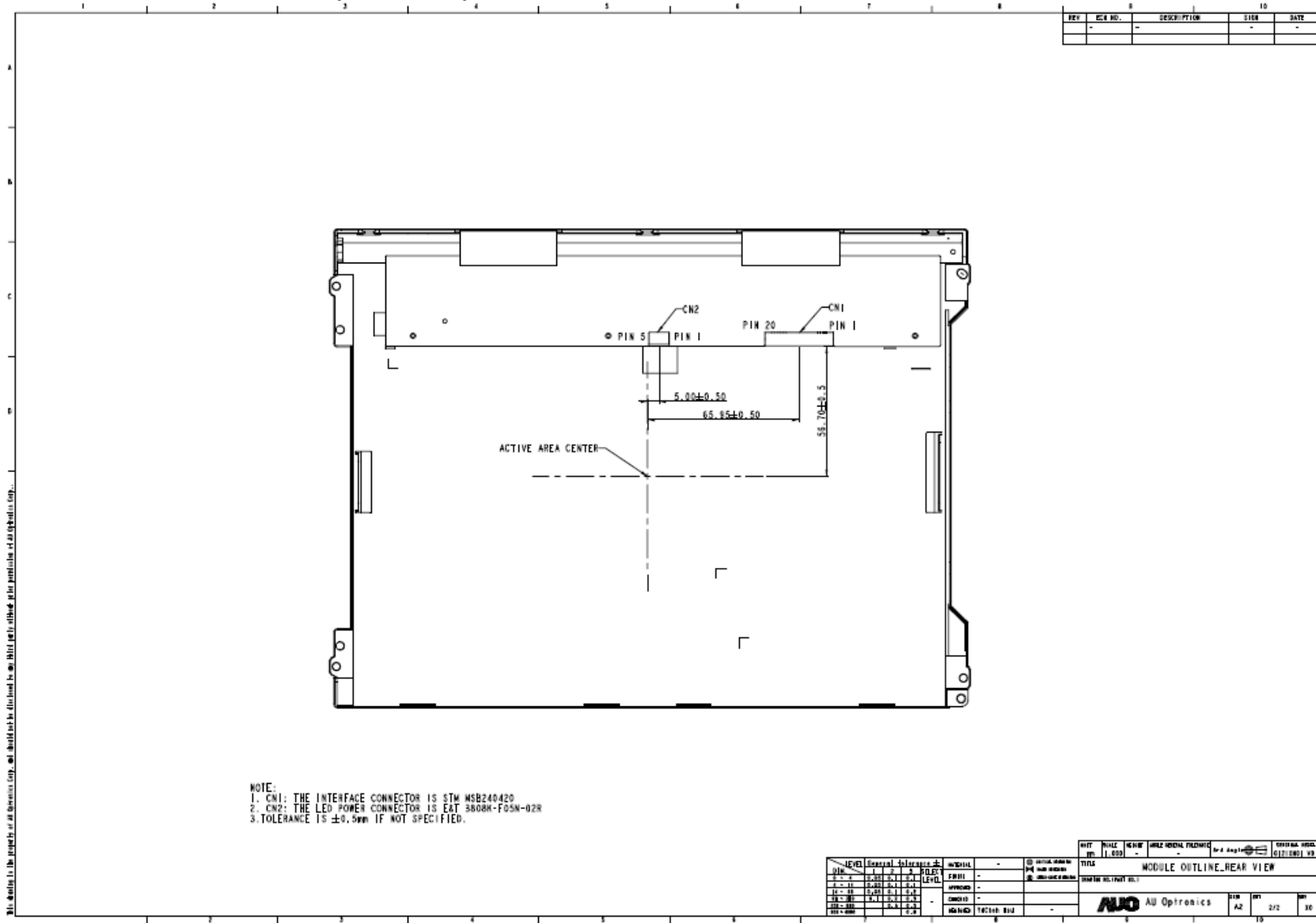
- Water condensation is not allowed for each test items.
- Each test is done by new TFT-LCD module. Don't use the same TFT-LCD module repeatedly for reliability test.
- The reliability test is performed only to examine the TFT-LCD module capability.
- To inspect TFT-LCD module after reliability test, please store it at room temperature and room humidity for 24 hours at least in advance.

9. Mechanical Characteristics

9.1 LCM Outline Dimension (Front View)



9.2 LCM Outline Dimension (Rear View)



NOTE:
 1. CN1: THE INTERFACE CONNECTOR IS STM MSB240420
 2. CN2: THE LED POWER CONNECTOR IS EXT 3808K-FG5N-02R
 3. TOLERANCE IS ±0.5mm IF NOT SPECIFIED.

REV	DATE	REV	DATE	REV	DATE	REV	DATE	REV	DATE
1	1.000	-	-	-	-	-	-	-	-

LEVEL	Serial	Spillage	LEVEL	Serial	Spillage
1	1	1	1	1	1
2	2	2	2	2	2
3	3	3	3	3	3
4	4	4	4	4	4
5	5	5	5	5	5
6	6	6	6	6	6
7	7	7	7	7	7
8	8	8	8	8	8
9	9	9	9	9	9
10	10	10	10	10	10

REV	DATE	REV	DATE	REV	DATE	REV	DATE	REV	DATE
1	1.000	-	-	-	-	-	-	-	-

REV	DATE	REV	DATE	REV	DATE	REV	DATE	REV	DATE
1	1.000	-	-	-	-	-	-	-	-

REV	DATE	REV	DATE	REV	DATE	REV	DATE	REV	DATE
1	1.000	-	-	-	-	-	-	-	-

REV	DATE	REV	DATE	REV	DATE	REV	DATE	REV	DATE
1	1.000	-	-	-	-	-	-	-	-

REV	DATE	REV	DATE	REV	DATE	REV	DATE	REV	DATE
1	1.000	-	-	-	-	-	-	-	-

REV	DATE	REV	DATE	REV	DATE	REV	DATE	REV	DATE
1	1.000	-	-	-	-	-	-	-	-

REV	DATE	REV	DATE	REV	DATE	REV	DATE	REV	DATE
1	1.000	-	-	-	-	-	-	-	-

REV	DATE	REV	DATE	REV	DATE	REV	DATE	REV	DATE
1	1.000	-	-	-	-	-	-	-	-

REV	DATE	REV	DATE	REV	DATE	REV	DATE	REV	DATE
1	1.000	-	-	-	-	-	-	-	-

REV	DATE	REV	DATE	REV	DATE	REV	DATE	REV	DATE
1	1.000	-	-	-	-	-	-	-	-

REV	DATE	REV	DATE	REV	DATE	REV	DATE	REV	DATE
1	1.000	-	-	-	-	-	-	-	-

REV	DATE	REV	DATE	REV	DATE	REV	DATE	REV	DATE
1	1.000	-	-	-	-	-	-	-	-

REV	DATE	REV	DATE	REV	DATE	REV	DATE	REV	DATE
1	1.000	-	-	-	-	-	-	-	-

REV	DATE	REV	DATE	REV	DATE	REV	DATE	REV	DATE
1	1.000	-	-	-	-	-	-	-	-

REV	DATE	REV	DATE	REV	DATE	REV	DATE	REV	DATE
1	1.000	-	-	-	-	-	-	-	-

REV	DATE	REV	DATE	REV	DATE	REV	DATE	REV	DATE
1	1.000	-	-	-	-	-	-	-	-

REV	DATE	REV	DATE	REV	DATE	REV	DATE	REV	DATE
1	1.000	-	-	-	-	-	-	-	-

REV	DATE	REV	DATE	REV	DATE	REV	DATE	REV	DATE
1	1.000	-	-	-	-	-	-	-	-

REV	DATE	REV	DATE	REV	DATE	REV	DATE	REV	DATE
1	1.000	-	-	-	-	-	-	-	-

REV	DATE	REV	DATE	REV	DATE	REV	DATE	REV	DATE
1	1.000	-	-	-	-	-	-	-	-

REV	DATE	REV	DATE	REV	DATE	REV	DATE	REV	DATE
1	1.000	-	-	-	-	-	-	-	-

REV	DATE	REV	DATE	REV	DATE	REV	DATE	REV	DATE
1	1.000	-	-	-	-	-	-	-	-

REV	DATE	REV	DATE	REV	DATE	REV	DATE	REV	DATE
1	1.000	-	-	-	-	-	-	-	-

REV	DATE	REV	DATE	REV	DATE	REV	DATE	REV	DATE
1	1.000	-	-	-	-	-	-	-	-

REV	DATE	REV	DATE	REV	DATE	REV	DATE	REV	DATE
1	1.000	-	-	-	-	-	-	-	-

REV	DATE	REV	DATE	REV	DATE	REV	DATE	REV	DATE
1	1.000	-	-	-	-	-	-	-	-

REV	DATE	REV	DATE	REV	DATE	REV	DATE	REV	DATE
1	1.000	-	-	-	-	-	-	-	-

REV	DATE	REV	DATE	REV	DATE	REV	DATE	REV	DATE
1	1.000	-	-	-	-	-	-	-	-

REV	DATE	REV	DATE	REV	DATE	REV	DATE	REV	DATE
1	1.000	-	-	-	-	-	-	-	-

REV	DATE	REV	DATE	REV	DATE	REV	DATE	REV	DATE
1	1.000	-	-	-	-	-	-	-	-

REV	DATE	REV	DATE	REV	DATE	REV	DATE	REV	DATE
1	1.000	-	-	-	-	-	-	-	-

REV	DATE	REV	DATE	REV	DATE	REV	DATE	REV	DATE
1	1.000	-	-	-	-	-	-	-	-

REV	DATE	REV	DATE	REV	DATE	REV	DATE	REV	DATE
1	1.000	-	-	-	-	-	-	-	-

REV	DATE	REV	DATE	REV	DATE	REV	DATE	REV	DATE
1	1.000	-	-	-	-	-	-	-	-

REV	DATE	REV	DATE	REV	DATE	REV	DATE	REV	DATE
1	1.000	-	-	-	-	-	-	-	-

REV	DATE	REV	DATE	REV	DATE	REV	DATE	REV	DATE
1	1.000	-	-	-	-	-	-	-	-

REV	DATE	REV	DATE	REV	DATE	REV	DATE	REV	DATE
1	1.000	-	-	-	-	-	-	-	-

REV	DATE	REV	DATE	REV	DATE	REV	DATE	REV	DATE
1	1.000	-	-	-	-	-	-	-	-

REV	DATE	REV	DATE	REV	DATE	REV	DATE	REV	DATE
1	1.000	-	-	-	-	-	-	-	-

REV	DATE	REV	DATE	REV	DATE	REV	DATE	REV	DATE
1	1.000	-	-	-	-	-	-	-	-

REV	DATE	REV	DATE	REV	DATE	REV	DATE	REV	DATE
1	1.000	-	-	-	-	-	-	-	-

REV	DATE	REV	DATE	REV	DATE	REV	DATE	REV	DATE
1	1.000	-	-	-	-	-	-	-	-

REV	DATE	REV	DATE	REV	DATE	REV	DATE	REV	DATE
1	1.000	-	-	-	-	-	-	-	-

REV	DATE	REV	DATE	REV	DATE	REV	DATE	REV	DATE
1	1.000	-	-	-	-	-	-	-	-

REV	DATE	REV	DATE	REV	DATE	REV	DATE	REV	DATE
1	1.000	-	-	-	-	-	-	-	-

REV	DATE	REV	DATE	REV	DATE	REV	DATE	REV	DATE
1	1.000	-	-	-	-	-	-	-	-

REV	DATE	REV	DATE	REV	DATE	REV	DATE	REV	DATE
1	1.000	-	-	-	-	-	-	-	-

REV	DATE	REV	DATE	REV	DATE	REV	DATE	REV	DATE
1	1.000	-	-	-	-	-	-	-	-

REV	DATE	REV	DATE	REV	DATE	REV	DATE	REV	DATE
1	1.000	-	-	-	-	-	-	-	-

REV	DATE	REV	DATE	REV	DATE	REV	DATE	REV	DATE
1	1.000	-	-	-	-	-	-	-	-

REV	DATE	REV	DATE	REV	DATE	REV	DATE	REV	DATE
1	1.000	-	-	-	-	-	-	-	-

REV	DATE	REV	DATE	REV	DATE	REV	DATE	REV	DATE
1	1.000	-	-	-	-	-	-	-	-

REV	DATE	REV	DATE	REV	DATE	REV	DATE	REV	DATE
1	1.000	-	-	-	-	-	-	-	-

REV	DATE	REV	DATE	REV	DATE	REV	DATE	REV	DATE
1	1.000	-	-	-	-	-	-	-	-

REV	DATE	REV	DATE	REV	DATE	REV	DATE	REV	DATE
1	1.000	-	-	-	-	-	-	-	-

REV	DATE	REV	DATE	REV	DATE	REV	DATE	REV	DATE
1	1.000	-	-	-	-	-	-	-	-

REV	DATE	REV	DATE	REV	DATE	REV	DATE	REV	DATE
1	1.000	-	-	-	-	-	-	-	-

REV	DATE	REV	DATE	REV	DATE	REV	DATE	REV	DATE
1	1.000	-	-	-	-	-	-	-	-

REV	DATE	REV	DATE	REV	DATE	REV	DATE	REV	DATE
1	1.000	-	-	-	-	-	-	-	-

REV	DATE	REV	DATE	REV	DATE	REV	DATE	REV	DATE
1	1.000	-	-	-	-	-	-	-	-

REV	DATE	REV	DATE	REV	DATE	REV	DATE	REV	DATE
1	1.000	-	-	-	-	-	-	-	-

REV	DATE	REV	DATE	REV	DATE	REV	DATE	REV	DATE
1	1.000	-	-	-	-	-	-	-	-



10. Label and Packaging

10.1 Shipping Label (on the rear side of TFT-LCD display)

TBD

10.2 Carton Package

TBD

11 Safety

11.1 Sharp Edge Requirements

There will be no sharp edges or comers on the display assembly that could cause injury.

11.2 Materials

11.2.1 Toxicity

There will be no carcinogenic materials used anywhere in the display module. If toxic materials are used, they will be reviewed and approved by the responsible AUO toxicologist.

11.2.2 Flammability

All components including electrical components that do not meet the flammability grade UL94-V1 in the module will complete the flammability rating exception approval process.

The printed circuit board will be made from material rated 94-V1 or better. The actual UL flammability rating will be printed on the printed circuit board.

11.3 Capacitors

If any polarized capacitors are used in the display assembly, provisions will be made to keep them from being inserted backwards.

11.4 National Test Lab Requirement

The display module will satisfy all requirements for compliance to:

UL 1950, First Edition

U.S.A. Information Technology Equipment